

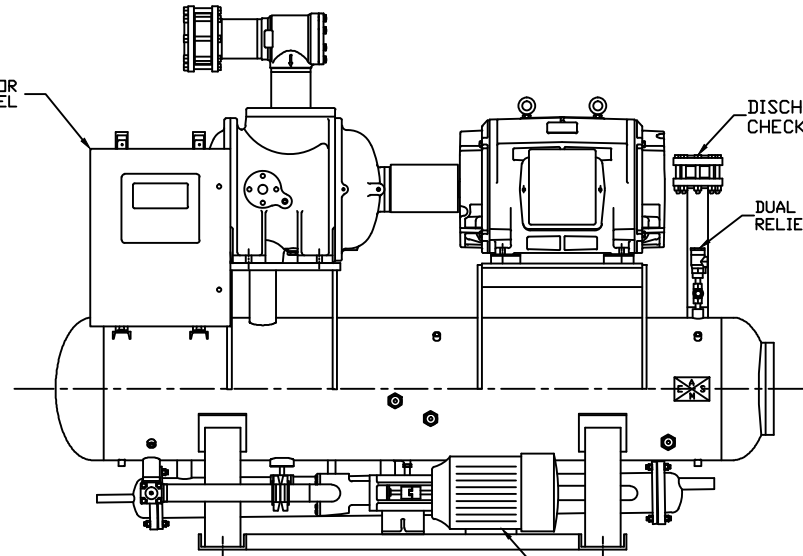
OIL FILTER

SUCTION STRAINER WITH CHECK VALVE

MICROPROCESSOR CONTROL PANEL

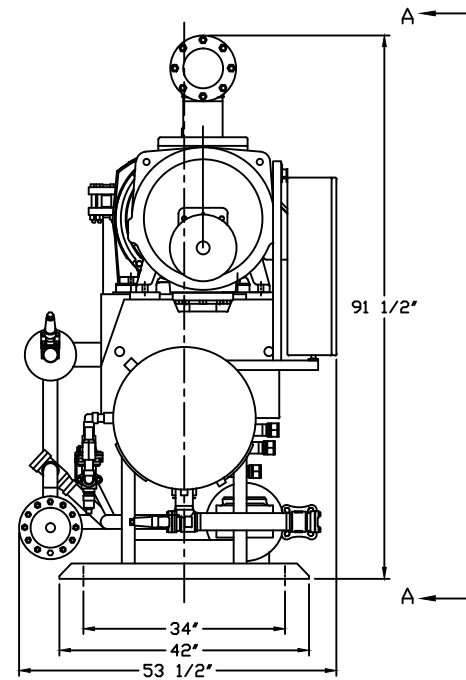
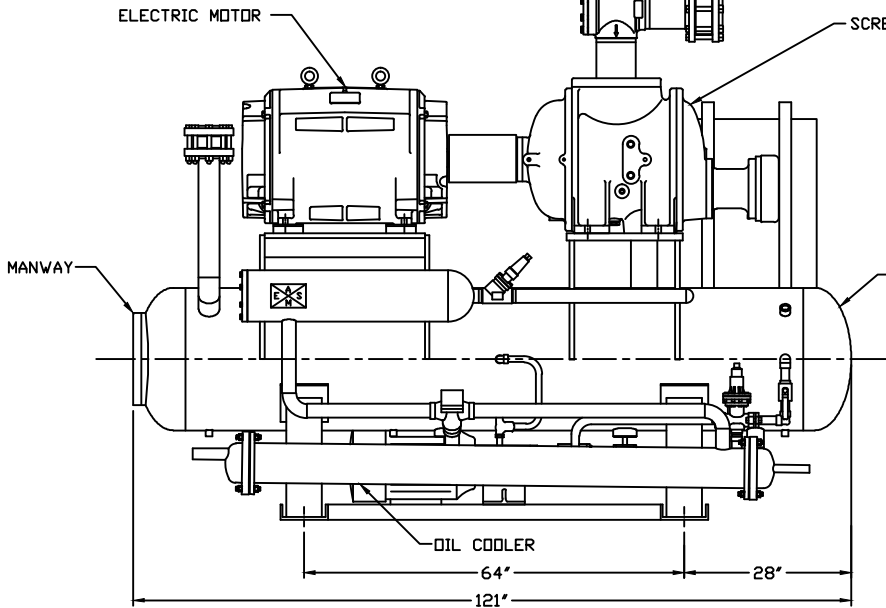
DISCHARGE CHECK VALVE

DUAL PRESSURE RELIEF VALVES



VIEW A-A

OIL PUMP



THIS DRAWING IS FOR INFORMATIONAL PURPOSES ONLY. ALL DIMENSIONS ARE APPROXIMATE AND SUBJECT TO CHANGE BASED ON DESIGN CONDITIONS.  
DO NOT SCALE OR USE FOR CONSTRUCTION.  
Approximate Weight: 6,500#



GENERAL ARRANGEMENT  
MODEL H58

DATE	02/23/11
DWG. BY	EPW
P/C	
APP. BY	

DWG. NO.  
H58