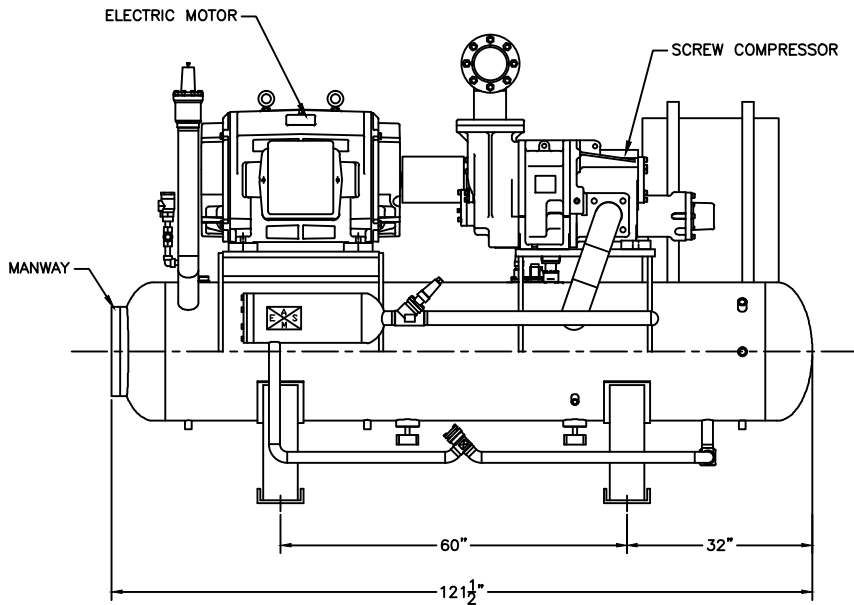
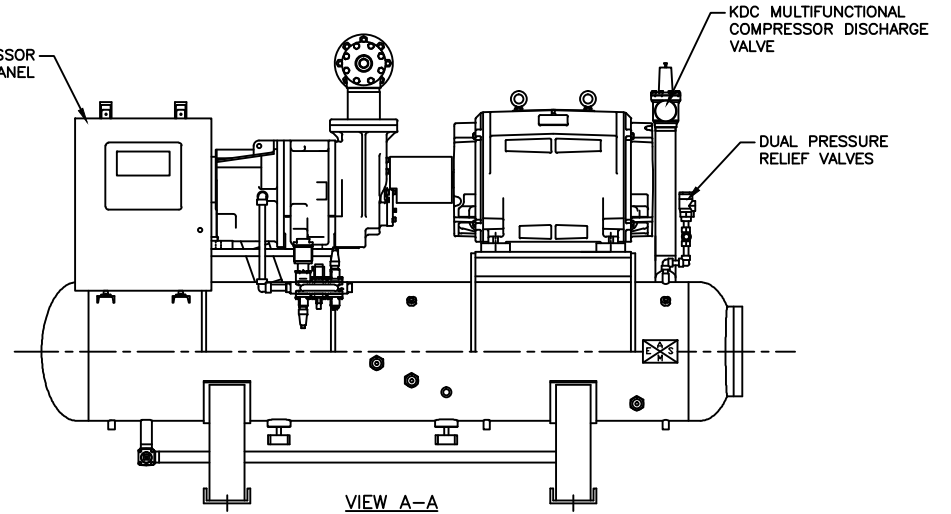
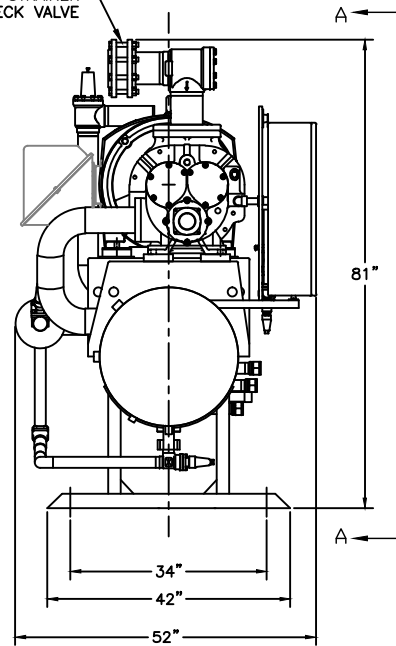


MICROPROCESSOR CONTROL PANEL



SUCTION STRAINER WITH CHECK VALVE



THIS DRAWING IS FOR INFORMATIONAL PURPOSES ONLY. ALL DIMENSIONS ARE APPROXIMATE AND SUBJECT TO CHANGE BASED ON DESIGN CONDITIONS.  
DO NOT SCALE OR USE FOR CONSTRUCTION.  
Approximate Weight: 4,700#



GENERAL ARRANGEMENT  
MODEL: H57

DATE	02/23/11
DWG. BY	EPW
P/C	
APP. BY	

DWG. NO.  
H57