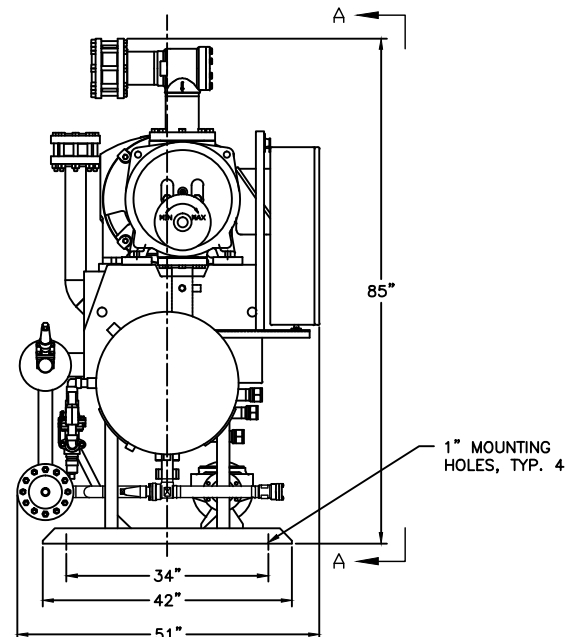
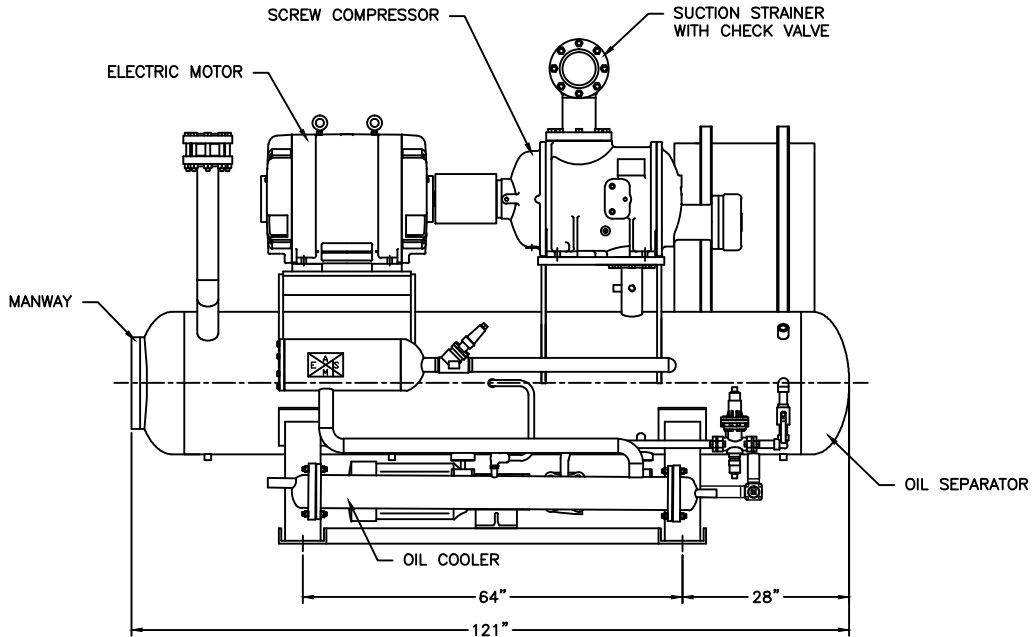
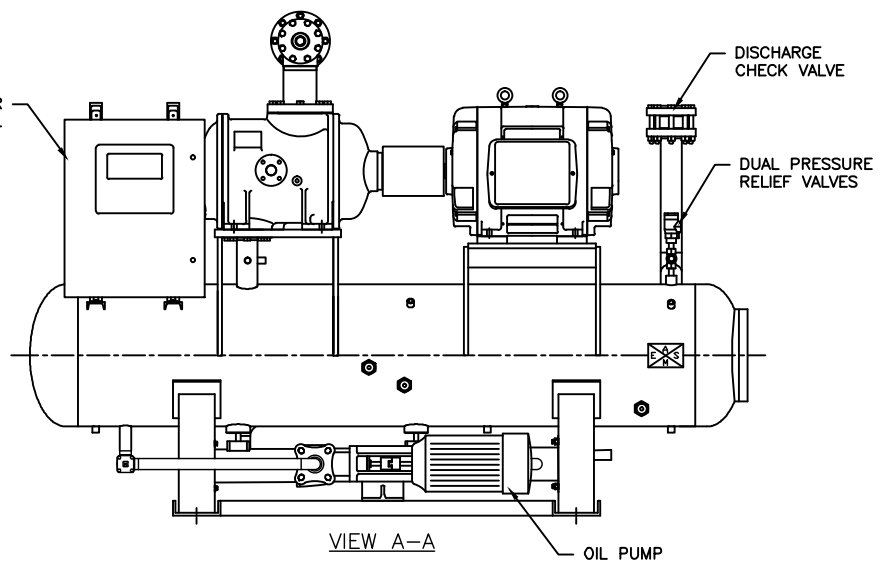


MICROPROCESSOR CONTROL PANEL



THIS DRAWING IS FOR INFORMATIONAL PURPOSES ONLY. ALL DIMENSIONS ARE APPROXIMATE AND SUBJECT TO CHANGE BASED ON DESIGN CONDITIONS.
DO NOT SCALE OR USE FOR CONSTRUCTION.
Approximate Weight: 5,400#



GENERAL ARRANGEMENT
MODEL: H48

DATE	02/23/11
DWG. BY	EJM
P/C	
APP. BY	

DWG. NO.
H48