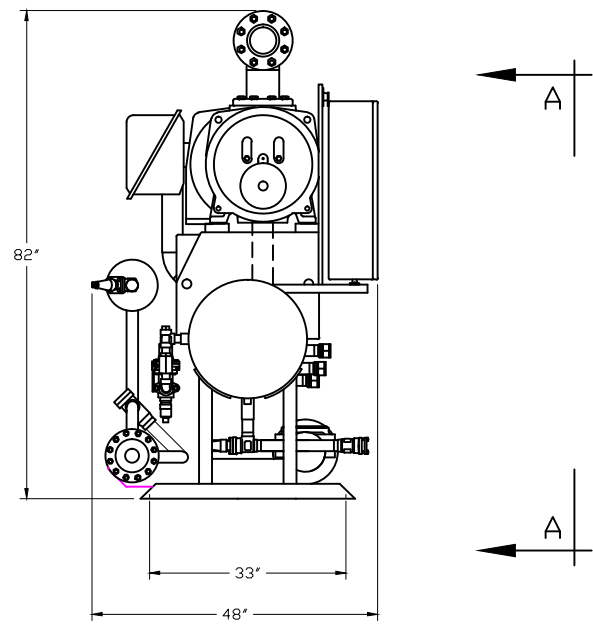
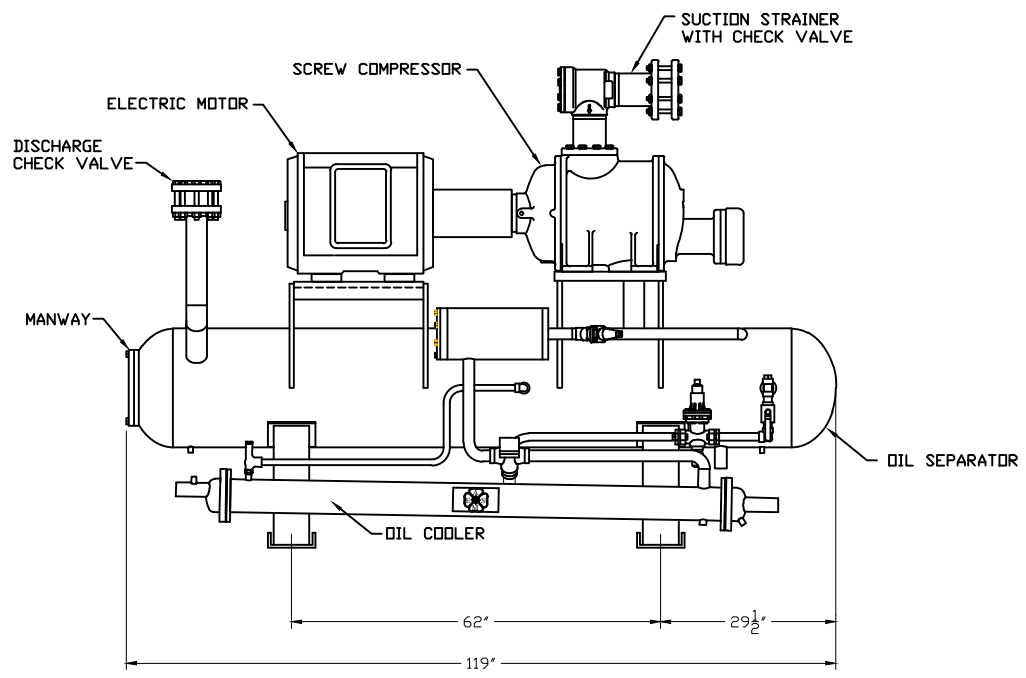


VIEW A-A



THIS DRAWING IS FOR INFORMATIONAL PURPOSES ONLY. ALL DIMENSIONS ARE APPROXIMATE AND SUBJECT TO CHANGE BASED ON DESIGN CONDITIONS.
DO NOT SCALE OR USE FOR CONSTRUCTION.
Approximate Weight: 4,900#



GENERAL ARRANGEMENT
MODEL: H38

DATE	02/23/11	DWG. NO.	
DWG. BY	EJW		
P/C			
APP. BY			