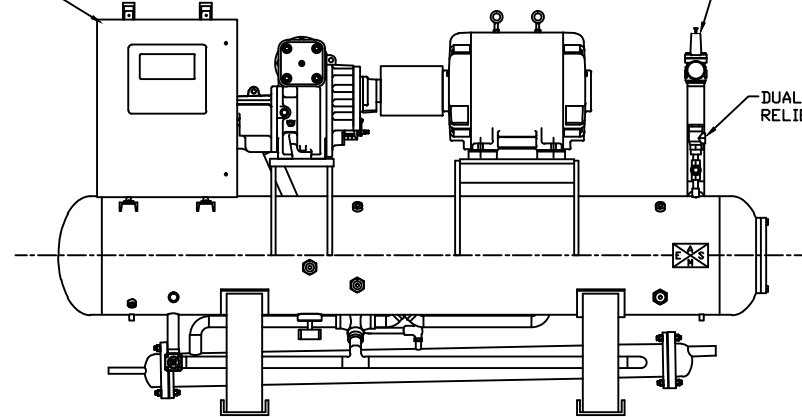


MICROPROCESSOR CONTROL PANEL

KDC MULTIFUNCTIONAL COMPRESSOR DISCHARGE VALVE

DUAL PRESSURE RELIEF VALVES



ELECTRIC MOTOR

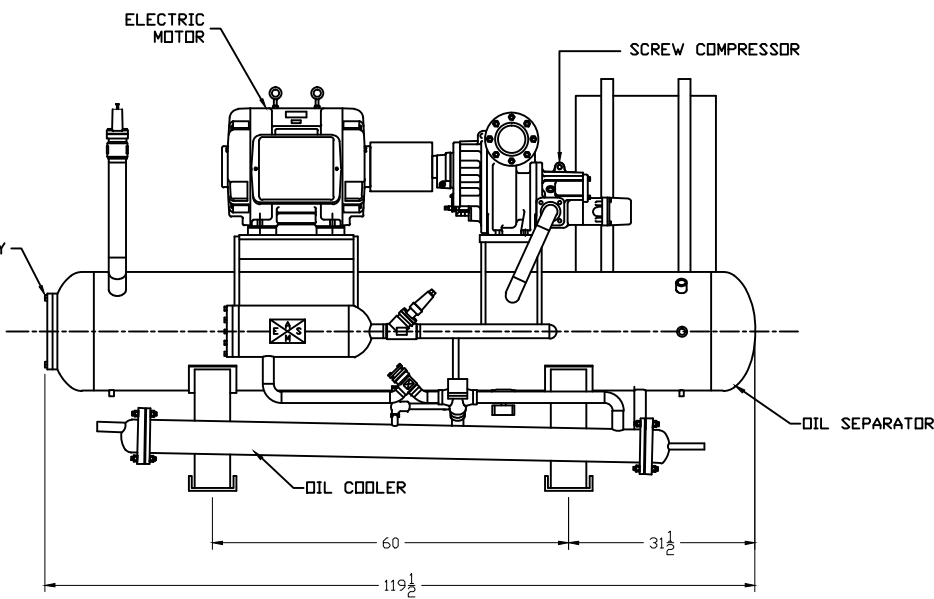
SCREW COMPRESSOR

SUCTION STRAINER WITH CHECK VALVE

MANWAY

OIL SEPARATOR

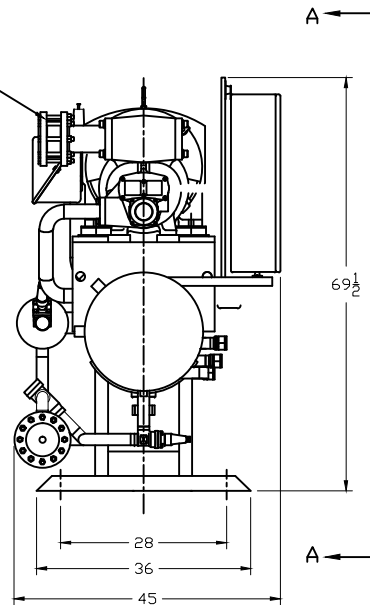
OIL COOLER



A

69 1/2

A



THIS DRAWING IS FOR INFORMATIONAL PURPOSES ONLY. ALL DIMENSIONS ARE APPROXIMATE AND SUBJECT TO CHANGE BASED ON DESIGN CONDITIONS.
DO NOT SCALE OR USE FOR CONSTRUCTION.
Approximate Weight: **4,800#**



GENERAL ARRANGEMENT
MODEL: H28 & H33

DATE	02/23/11
DWG. BY	EW
P/C	
APP. BY	

DWG. NO.
H28 H33